

AIR STRIPPERS

OVERVIEW

PRM offers 5 basic series of air strippers for groundwater remediation. These units are rated for 10 to 200 gpm nominal flow-rate. The units have been designed with groundwater remediation in mind, where volatiles need to be removed from petroleum and solvent impacted groundwater. The PRM air stripper is constructed of high quality Stainless Steel with heavy duty gaskets and tension rods to prevent leakage.

NOMINAL FLOW RATES

AST-130 Series: 0 to 10 gpm

AST-230 Series: 5 to 40 gpm

AST-620 Series: 10 to 75 gpm

AST-630 Series: 15 to 125 gpm

AST-4120 Series: 25 to 200 gpm

Call for custom sizing.



PRM Model 624 Air Stripper Package

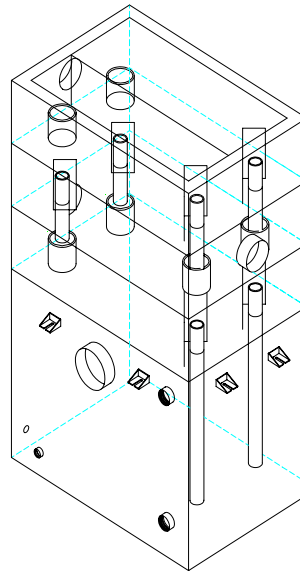
APPLICATION

The air stripper is the heart of a groundwater remediation system. A properly sized air stripper will minimize carbon usage while maximizing contaminant removal. PRM air strippers consist of a high quality American Fans blower, which discharges into the stripper sump. Blowers are available in any configuration to meet available power and classification requirements. Air passes up through the perforated trays frothing the water as the influent enters the unit through an inlet manifold with distribution nozzles. Water flows along the trays in a simple and unique “straight thru” pattern.

Please feel free to talk to a PRM representative to insure that the air stripper you need is properly sized and specific for your application.

MATERIALS OF CONSTRUCTION

All PRM air strippers are fabricated from Stainless Steel for superior corrosion resistance and structural stability. Standard options include clear PVC site glass with pump down and high level floats, sump pressure gauge, air flow meter, and pump out package with throttle valve, pressure gauge, and sample port. The PRM air stripper has an inspection port on each tray, which can also be used for routine cleanings. It all adds up to a superior Air Stripper.



SPECIFICATIONS:

AST-130 Series

- 12"W x 36"L 14 gauge SS
- 2 thru 5 tray models available
- 1" Inlet, 1 1/4" Outlet, 1" Drain
- 4" Inspection/Cleaning ports
- Demister element at discharge
- 1" wide gaskets with simple clamp down rods.

AST-230 Series

- 24"W x 36"L 14 gauge SS
- 2 thru 5 tray models available
- 1" Inlet, 1 1/4" Outlet, 1" Drain
- 4" Inspection/Cleaning ports
- Demister element at discharge
- 1" wide gaskets with simple clamp down rods.

AST-620 Series

- 24"W x 72"L 72 H 14 gauge SS
- 2 thru 5 tray models available
- 1" Inlet, 2" Outlet, 1" Drain
- 4" Inspection/Cleaning ports
- Demister element at discharge
- 2" wide gaskets with simple clamp down rods.

AST-630 Series

- 36"W x 72"L 14 gauge SS
- 2 thru 5 tray models available
- 1 1/4" Inlet, 3" Outlet, 1" Drain
- 4" Inspection/Cleaning ports
- Demister element at discharge
- 2" wide gaskets with simple clamp down rods.

AST-4120 Series

- 48"W x 144"L 14 gauge SS
- 2 thru 5 tray models available
- 2" Inlet, 4" Outlet, 1" Drain
- 4" Inspection/Cleaning ports
- Demister element at discharge
- 2" wide gaskets with simple clamp down rods.

OPTIONS

- Skid mounting
- Special sizes
- Site glass with level floats
- Pump out or gravity discharge
- Bag filtration prior to or after
- Outputs to telemetry
- Digital, pulse, and turbine flow meters and totalizers
- System control panels